

G-F3X112: TRI-AXIS FIBER OPTIC GYROSCOPE

■ PRODUCT DESCRIPTION

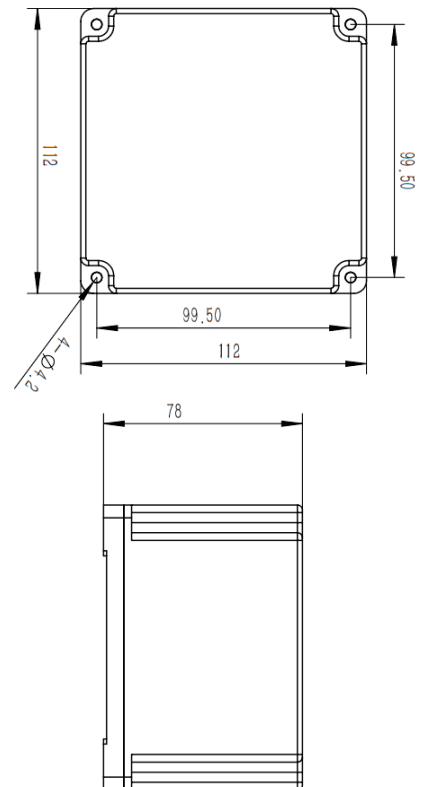


Fiber optic gyroscope, as a new type of all solid state gyroscope, has the advantages of fast start-up, wide measurement range, and high reliability. Among them, the G-F3X112 fiber optic gyroscope inertial unit is designed for the needs of medium and high precision application backgrounds, using three-axis shared technology, with low cost and stable performance; Structurally, it adopts integrated packaging of light path and circuit, with a simple structure and convenient installation. It can be applied to navigation guidance, attitude measurement and control systems of small missiles and guided bombs.

■ PRODUCT MAIN SPECIFICATION

	G-F3X112-A	G-F3X112-B	G-F3X112-C	Unit
Startup time	5	5	5	s
Zero bias stability (sequential/daily, certain temp)	≤0.20 (10s)	≤0.10 (10s)	≤0.05 (10s)	° /hr
Zero bias repeatability (sequential/daily, certain temp)	≤0.20 (10s)	≤0.10 (10s)	≤0.05 (10s)	° /hr
Random walk coefficient	≤0.020	≤0.010	≤0.005	°/√hr
The Scale factor of repeatability	≤50	≤30	≤20	ppm
The Scale factor of asymmetry	≤50	≤30	≤20	ppm
The Scale factor of nonlinearity	≤50	≤30	≤20	ppm
Threshold	≤0.5			° /hr
Dynamic range	±500			° /s
Bandwidth	≥200			Hz
Data refresh rate	can be customized according to requirement			Hz
Output method	Rs422			
Operating temperature	-45 ~ +65			°C
Storage temperature	-55 ~ +80			°C
Product Dimension	112*112*78			mm
Supply of voltage	±18~36 (can be customized)			V
Power consumption (steady state)	≤8			W
Power consumption (Full temperature steady state)	≤15			W
Starting instantaneous current	1			A
Net weight of product	450±50			g
Socket connector	J30-15ZKP			

■ PRODUCT DIMENSION



DIMENSION: 112*112*78MM

- Crane bin and guide head
- Marine survey
- Stabilization platform equipment
- Petroleum geological logging
- Ship navigation attitude measurement
- Unmanned aerial vehicles (UAV)
- Underwater navigation
- Angle control of various construction machinery
- Satellite solar antenna positioning
- North finding instrument
- Navigation GPS